







GP 500 - 1

GP 500 - 2

- High accuracy   Leak test
- Automatic Autozero   Modifiable table
- Generation of pressure   Transportable standard

NEW

DESIGNED FOR PROFESSIONALS OF METROLOGY

THE PRESSURE GENERATOR ALLOWS TO ADJUST AND CALIBRATE MEASUREMENT INSTRUMENTS IN LABORATORY OR ON-SITE.

The GP 500 instrument has 2 versions :

GP500 - 1from -2500 to +2500 Pa

GP500 - 2from -10 000 to 10 000 Pa


- Specific connectors
- Larged backlighted display
- Configuration software
- 20 programs with adjustable generations
- Solid transport case
- Aluminium housing with adjustable carrying handle

COMPLIES WITH EN 61010-1



FEATURES

MAIN TECHNICAL FEATURES

Display	Backlighted graphical LCD Size : 85 x 51 mm Resolution : 240 x 180 pixels
Measuring ports connection	Ribbed connectors Ø 4x7 mm tubes
Generation ports connection	Quick-coupling connectors DN2.7
Power supply	230 Vac ±10% / 50-60 Hz or on battery
Consumption	19 W
Battery life	8 hours
PC interface	USB
Operating temperature	From 0 to + 50° C
Storage temperature	From -10 to + 70° C
Environment	Air, non-aggressive gases, non-corrosive gases
Languages	French, English
Weight	4.5 kg
Conformity	EMC 2004/108/CE and EN 61010-1 directives
Fuse on the phase and on the neutral	Time delay 1 A 250 V
Instrument to connect to earth protection	

2 operating

modes

- MEASUREMENT
- GENERATION

GP 500 INSTRUMENT IS SUPPLIED WITH :

- 2 x 1 m of silicone tube
- A power supply cable
- 1 USB cable
- Configuration software
- 2 quick-coupling DN 2.7
- Calibration certificate
- User manual

WARRANTY

Instruments have 1-year guarantee for any manufacturing defect (return to our After-Sales Service required for appraisal).

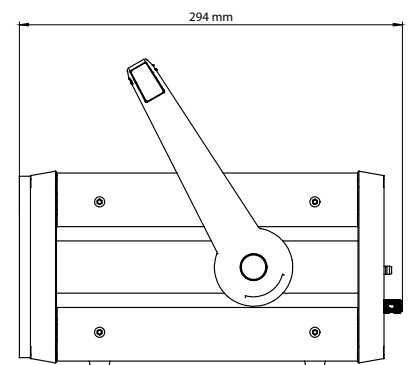
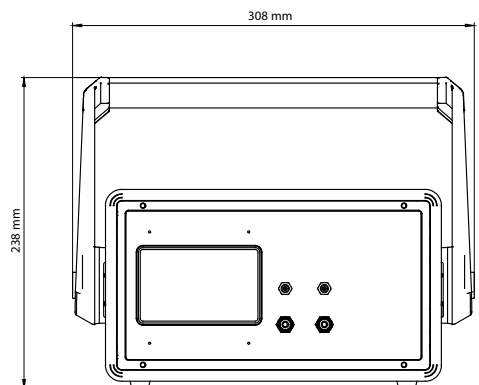
TECHNICAL FEATURES IN PRESSURE MEASUREMENT AND PRESSURE GENERATION

GP 500 - 1

Measuring range	From -2500 to +2500 Pa
Accuracy* in measurement	±(0.15% Reading value +0.8) Pa
Accuracy* in generation	From ±5 to ±2500 Pa : ±1 Pa
Resolution	From -2500 to -1000 Pa : 1 Pa From -1000 to -100 Pa : 0.1 Pa From -100 to +100 Pa : 0.01 Pa From +100 to +1000 Pa : 0.1 Pa From +1000 to 2500 Pa : 1 Pa
Autozero	Automatic Manual (via keypad)
Units	Pa, daPa, hPa, mmH₂O, mmHg, mbar, inWg

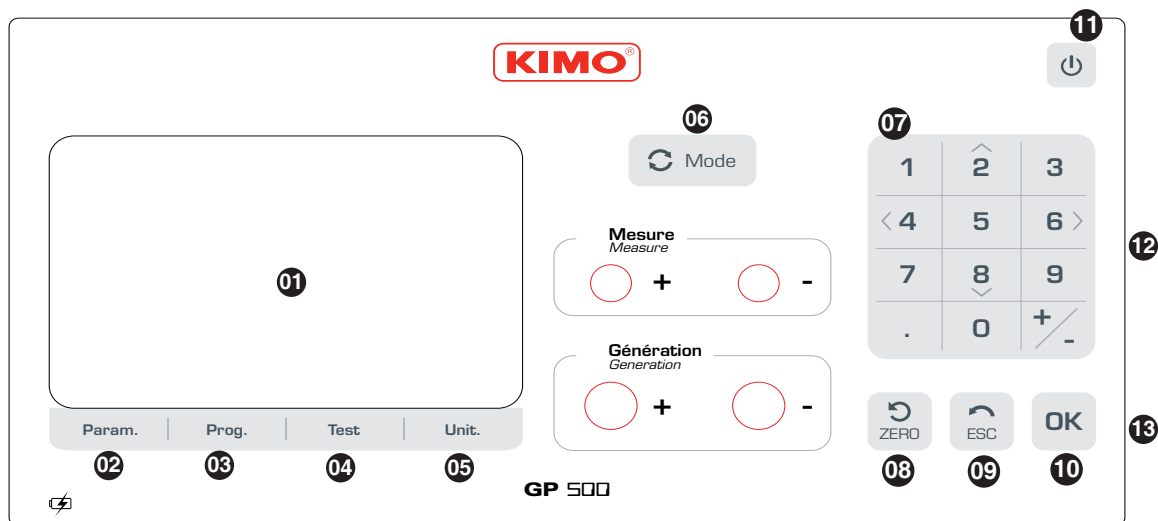
GP 500 - 2

Measuring range	From -10 000 to +10 000 Pa
Accuracy* in measurement	±(0.15% Reading value +6 Pa) Pa
Accuracy* in generation	From -10 000 to -50 Pa : ±10 Pa From +50 to +1000 Pa : 1 Pa From +1000 to +10 000 Pa : 10 Pa
Resolution	From -10 000 to -1000 Pa : 1 Pa From -1000 to -100 Pa : 0.1 Pa From -100 to +100 Pa : 0.01 Pa From +100 to +1000 Pa : 0.1 Pa From +1000 to +10 000 Pa : 1 Pa
Autozero	Automatic (Adjustable frequency) Manual (keypad)
Units	Pa, daPa, hPa, mmH₂O, mmHg, mbar, inWg



*All the accuracies indicated in this technical datasheet were stated in laboratory conditions, and can be guaranteed for measurements carried out in the same conditions, or carried out with calibration compensation.

USER INTERFACE



- 01. Screen
- 02. Param. : configuration of the instrument
- 03. Prog. : configuration of pressure generation programs
- 04. Test : leak test
- 05. Unit. : units modification
- 06. Mode : mode selection : "Measure" or "Generation"
- 07. 12 keys keypad with navigation arrows
- 08. Zero : manual autozero
- 09. Esc : back
- 10. OK : validation of the selection
- 11. On/Off key
- 12. Power supply on the right side
- 13. USB port type B on the right side

RAPIDITY AND STABILITY

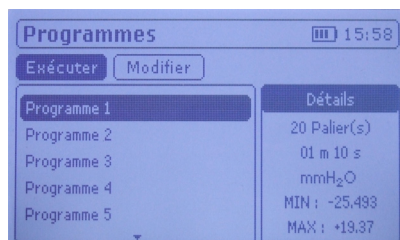
MESUREMENT

The GP 500 is the ideal instrument for the measurement of a dynamic pressure.

GENERATION

The pressure setpoints rapidly reached thanks to the enslavement of the pneumatic system are of a proven stability.

The GP500 also offers to configure programs allowing to automate the pressure generation. This easy-to-use function allows to save a precious time for serial controls.



The **Program** function allows to define the number and the duration of the different stages to reach. It is possible to save up to 20 different programs with 20 setpoints values (stages) by programm.

AIR-TIGHTNESS TEST

AIR-TIGHTNESS

The air-tightness test allows to test the integrity of an airflow network. With its configurable parameters, the air-tightness test gives clear and fast results of the situation, on-site or in laboratory.

www.kimo.fr

Distributed by :



EXPORT DEPARTMENT

Tel : + 33. 1. 60. 06. 69. 25 - Fax : + 33. 1. 60. 06. 69. 29

e-mail : export@kimo.fr